

# REPLACEMENT MOTORS - SUPER STAINLESS WATER WELL

MODELS: 1/2-1 HP; 1.5HP (3-WIRE 1-PH OR 3-PH ONLY)

HP	Models
1/2	2145_9004G, -GS
	2345_9204G, -GS
	2445_9004G, -GS
3/4	2145_9004G, -GS
	2345_9204G, -GS
	2445_9004G, -GS
1	2145_9003G, -GS
	2345_9203G, -GS
	2445_9003G, -GS
1.5	2243_9203G, -GS
	2345_9203G, -GS

PART DESCRIPTION: 1/2-1 HP

Fig. No.	Description	Kit
1	Stator	---
2	Rotor	---
3	End Bell Asm, Top	Top
4	End Bell Asm, Btm	Bottom
5	Bearing, Disk	Bottom
6	Spline Protector	Top & Misc
7	Support Washer	Top & Misc
8	Mounting Studs	Top & Misc
9	Diaphragm Guard	Bottom & Misc
10	Diaphragm	Bottom & Misc
11	Gasket	Bottom & Misc
12	Cover, Btm	Bottom & Misc
13	Shims	Bottom & Misc
14	Screws, Btm Cover	Bottom & Misc
15	O-ring	Top, Bottom & Misc

KIT DESCRIPTION: 1/2-1 HP

Kit No.	Description	Included Parts
305974910	Top End Bell Kit	3,6,7,8,15
305974922	Bottom End Bell Kit	4,5,9,10,11,12,13,14,15
305974912	Misc. Hardward Kit	6,7,8,9,10,11,12,13,14,15
305974914	BIAC Kit	Not shown above only for 2-wire motors

2

## REPLACEMENT MOTORS - SUPER STAINLESS WATER WELL

### MODELS: 2-3 HP; 1.5HP (2-WIRE 1-PH ONLY)

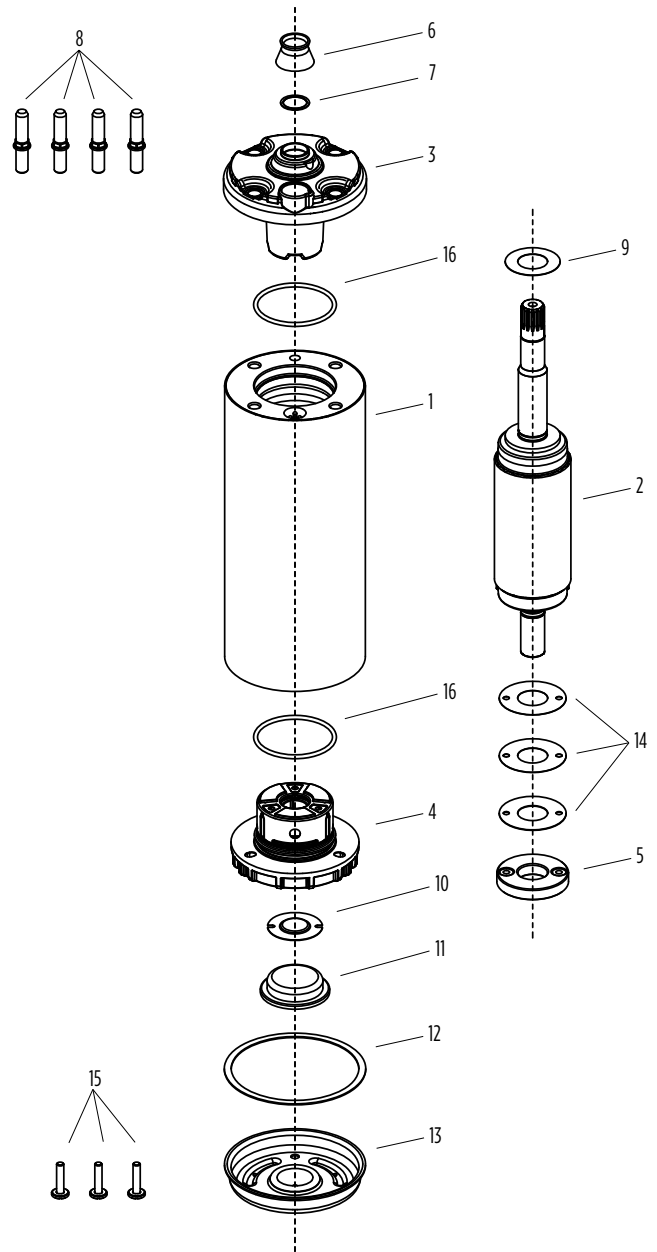
HP	Models
1.5	2443_9004G, -GS
	2243_9204G, -GS
2	2343_9204G, -GS
	2243_2604G, -GS
3	2247_2604G, -GS
	2343_2604G, -GS

### PART DESCRIPTION: 2-3 HP

Fig. No.	Description	Kit
1	Stator	---
2	Rotor	---
3	End Bell Asm, Top	Top
4	End Bell Asm, Btm	Bottom
5	Bearing, Disk	Bottom
6	Spline Protector	Top & Misc
7	Support Washer	Top & Misc
8	Mounting Studs	Top & Misc
9	Washer, Bump	Top & Misc
10	Diaphragm Guard	Bottom & Misc
11	Diaphragm	Bottom & Misc
12	Gasket	Bottom & Misc
13	Cover, Btm	Bottom & Misc
14	Shims	Bottom & Misc
15	Screws, Btm Cover	Bottom & Misc
16	O-ring	Top, Bottom & Misc

### KIT DESCRIPTION: 2-3 HP

Kit No.	Description	Included Parts
305974911	Top End Bell Kit	3,6,7,8,9,16
305974922	Bottom End Bell Kit	4,5,10,11,12,13,14,15,16
305974912	Misc. Hardware Kit	6,7,8,9,10,11,12,13,14,15,16
305974914	BIAC Kit	Not shown above only for 2-wire motors



## REPLACEMENT MOTORS - HIGH THRUST WATER WELL

### MODELS: 3-10 HP

HP	Models
3-5	224_8600
	224_8602
3-10	234_8600
	234_8602

### PART DESCRIPTION: 3-10 HP

Fig. No.	Description	Kit
1	Slinger	Top
2	Slinger Washer	Top
3	Seal Cover	Top
4	Lip Seal	Top
5	Top End Bell	Top
6	Check Valve	Top
7	Filter Assembly	Top
8	Motor Studs (4)	Top
9	O-ring	Top
10	Up Thrust Washer	Top
11	Rotor	-
12	Stator	-
13	Lower End Bell	Bottom
14	O-ring	Bottom
15	Woodruff Key	Bottom
16	Thrust Bearing	Bottom
17	Thrust Segments	Bottom
18	Leveling Disc	Bottom
19	Thrust Housing	Bottom
20	Thrust Housing Bolts	Bottom
21	Adjusting Screw	Bottom
22	Diaphragm	Bottom
23	Diaphragm Cup	Bottom
24	Diaphragm Spring	Bottom
25	Diaphragm Cover	Bottom
26	Diaphragm Cover Screws	Bottom
27	Lead Screws	Top

### KIT DESCRIPTION: 3-10 HP

Description	Includes Parts	Parts Kit No.
Top End Bell Kit	1 - 10, 27	305974904
Bottom End Bell Kit	13 - 26	305974906

